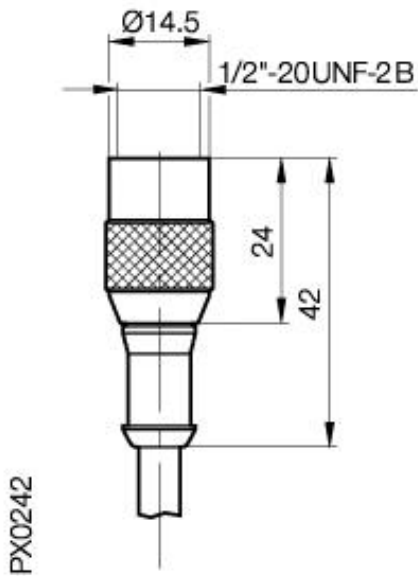


Accessories: Connectors BKS-S 21-



Common Data

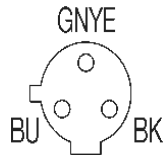
Version	Connector, straight, 3-pin
Usable with	on Sensors with connection S21 (AC/DC, 1/2")
Manufacturer	Lumberg
Ambient temperature	-25°C...+90°C
Function display	no
Supply voltage display	no

Mechanical Data

Measurements WxHxD or Dia x D	42 x Ø14,5
Material	Housing Polyester TPU
Protection class per IEC 60529	IP68 acc. BWN Pr.20
Cable version	fully potted, LiYY-0
Conductor cross section	3 x 0,34mm ²

Electrical Data

Supply voltage	300VAC
----------------	--------



Datasheet number::

Definitions see general catalog.
If not otherwise noted, ratings according to
IEC 60947-5-2 (DIN EN60947-5-2)

Balluff GmbH
Schurwaldstrasse 9
73765 Neuhausen a.d.F.
Phone (07158) 173-0 Fax (07158) 5010

Datenblatt by CD-ROM - 04/2007

BALLUFF
sensors worldwide